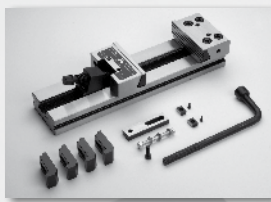
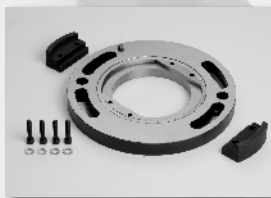


# Modular clamping equipment "LC"

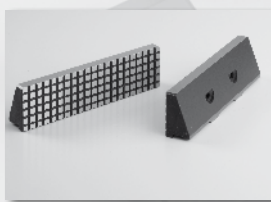
3.2



**LC**  
pag. 3.2. 3



**Accessories LC**  
pag. 3.2. 4



**Spare parts LC**  
pag. 3.2. 7

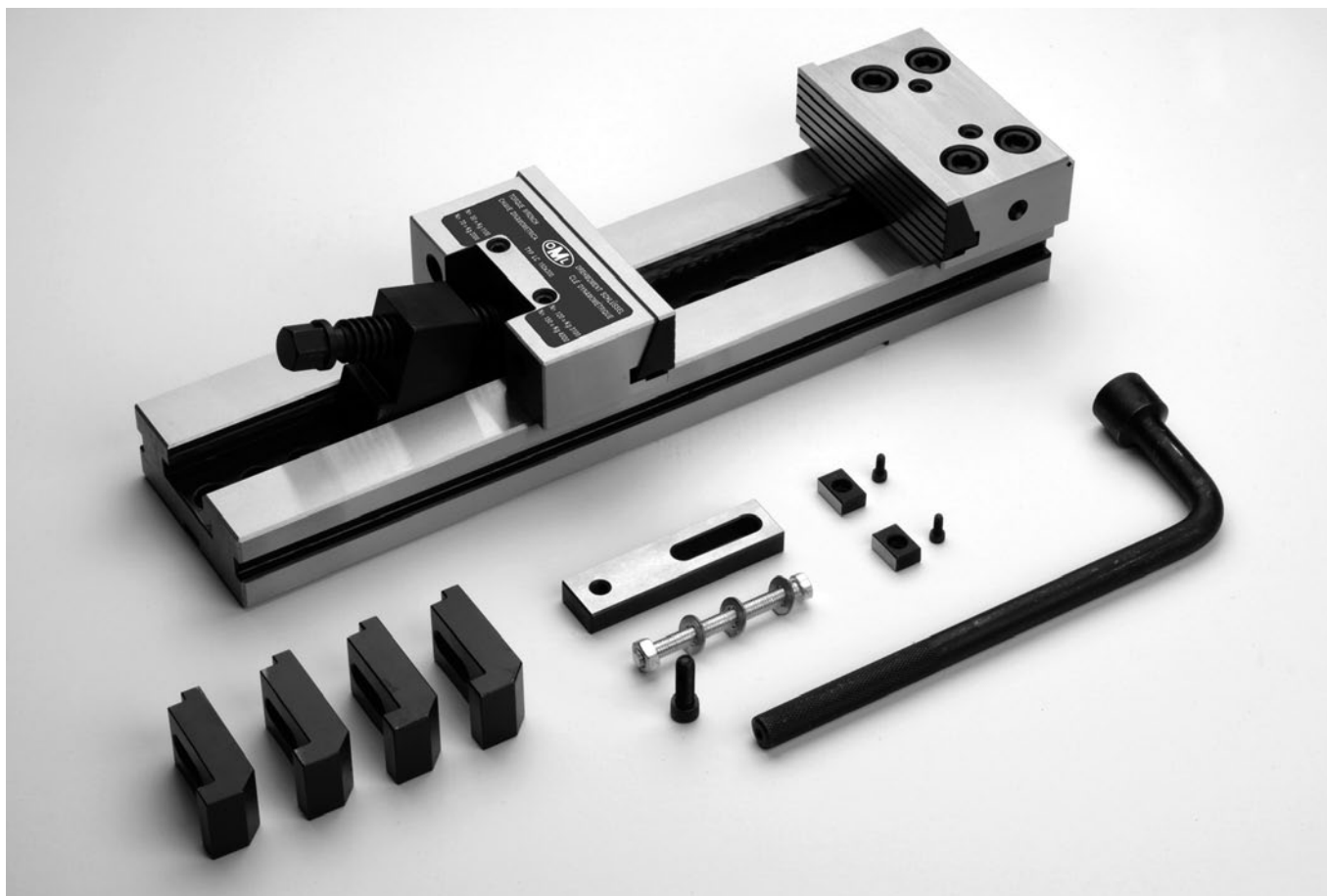


**LC is...**

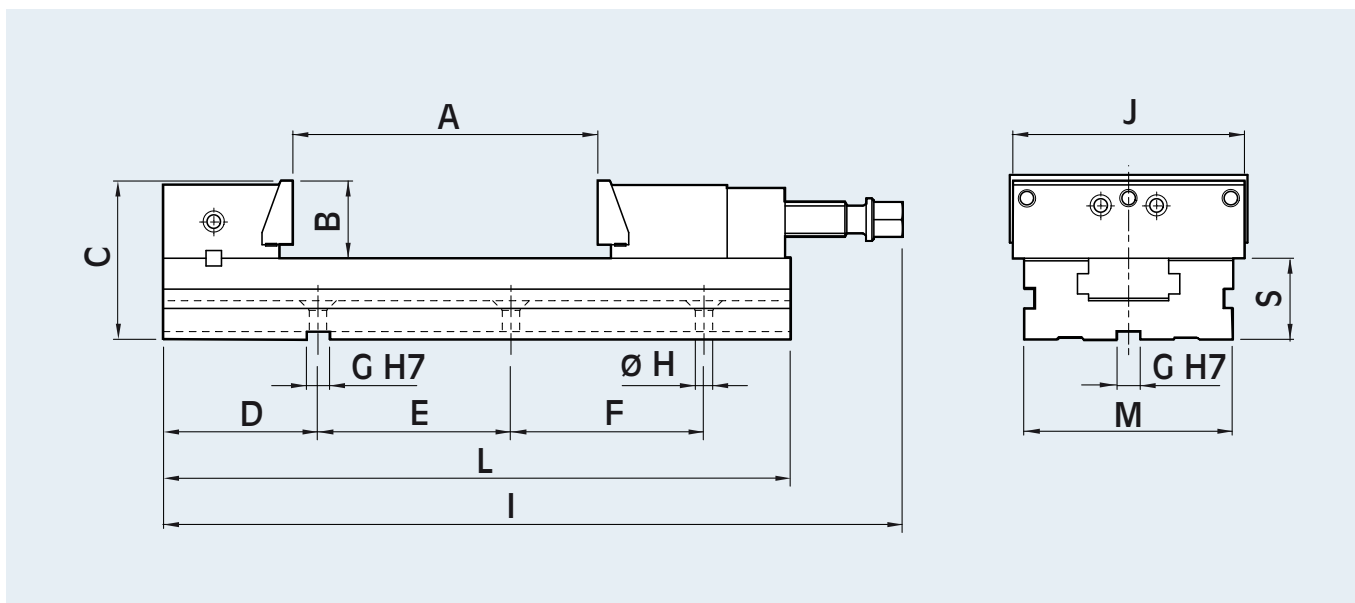
**LOW  
COST**

The new LC VISE joins the original OML TC and MC VISES as “low cost” solution.

---



Clamping equipment LC complete with: wrench, rigid slide way (floating slide-way at request for raw workpiece), work stop, pair of positioning keys h6, cover for protection of the screw, 4 clamps, cardboard box.



Code	Type	A mm	B mm	C mm	D mm	E mm	F mm	G mm	H mm	I mm	J mm	L mm	M mm	S mm	Weight kg
77 58 95 01	LC 125 x 150	150	40	80	111	100	100	16	8,5	410	125	345	95	40	13
77 58 96 01	LC 150 x 200	200	50	100	122,5	100	100	16	12,5	500	150	420	125	50	26
77 58 96 02	LC 150 x 300	300	50	100	122,5	100	100	16	12,5	600	150	520	125	50	29
77 58 97 01	LC 200 x 300	300	65	135	145	100	100	16	12,5	680	200	595	170	70	69
77 58 97 02	LC 200 x 400	400	65	135	145	100	100	16	12,5	780	200	695	170	70	74

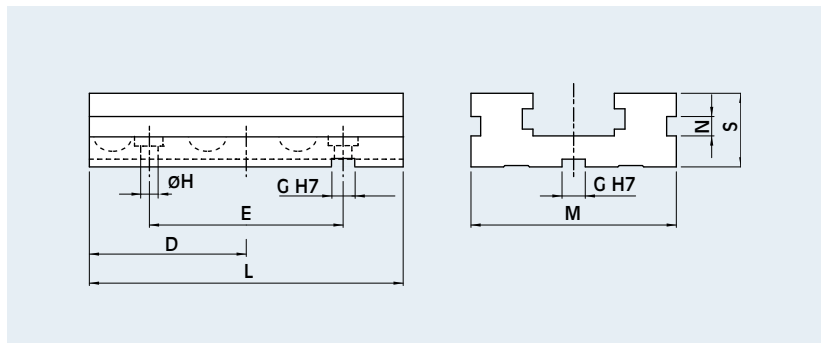
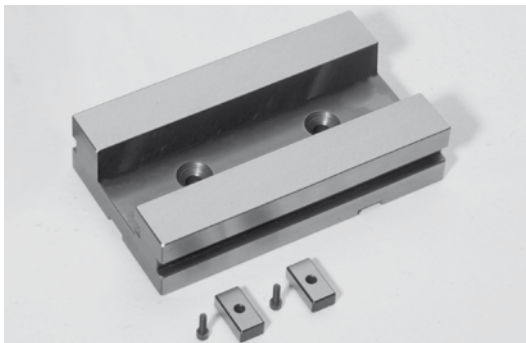
## Swivel base for clamping equipment LC



Code	for type
77 58 95 50	LC 125
77 58 96 50	LC 150
77 58 97 50	LC 200

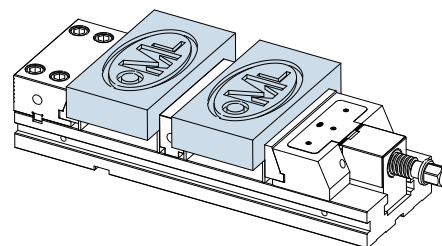
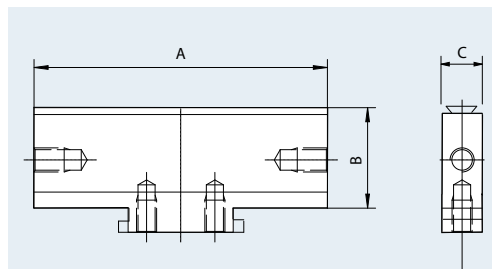
## LC extension element

with pair of positioning keys (at customer's choice)



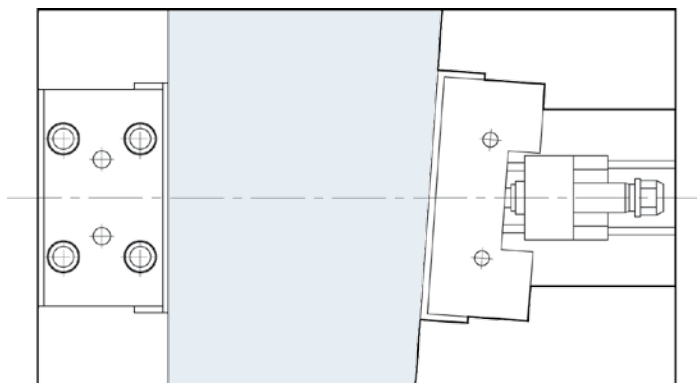
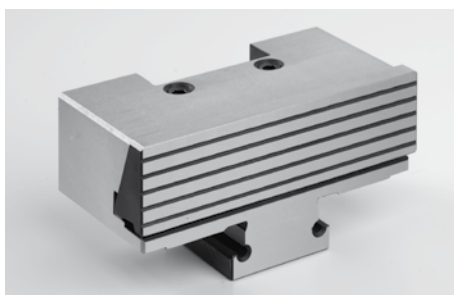
Code	for type	D mm	E mm	G mm	H mm	L mm	M mm	S mm
58 95 17 00	LC 125	40	40	16	8,5	160	95	40
58 96 17 00	LC 150	40	50	16	13	230	125	50
58 97 17 00	LC 200	50	100	16	17	300	170	70

## Middle jaw LC

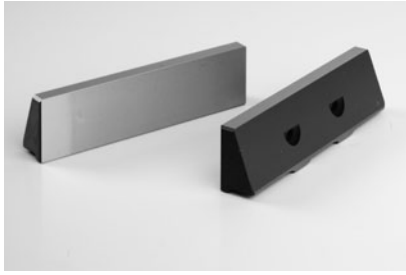


Code	for type	E mm	F mm	G mm	H mm	I mm
58 95 41 10	LC 125	121	38	33	10	30
58 96 41 10	LC 150	146	48	43	10	30
58 97 41 10	LC 200	196	68	53	10	30

## Floating movable support with jaw LC

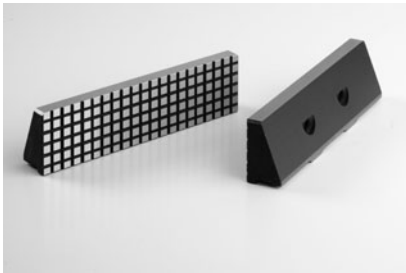


Code	for type
58 95 73 50	LC 125
58 96 73 50	LC 150
58 97 73 50	LC 200



### Pair of smooth jaws LC

Code	for type
58 95 04 09	LC 125
58 96 04 09	LC 150
58 97 04 09	LC 200



### Pair of serrated jaws LC

Code	for type
58 95 44 29	LC 125
58 96 44 29	LC 150
58 97 44 29	LC 200

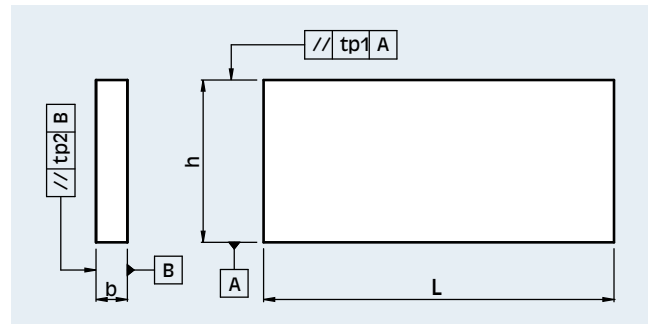


### Insert for vertical use

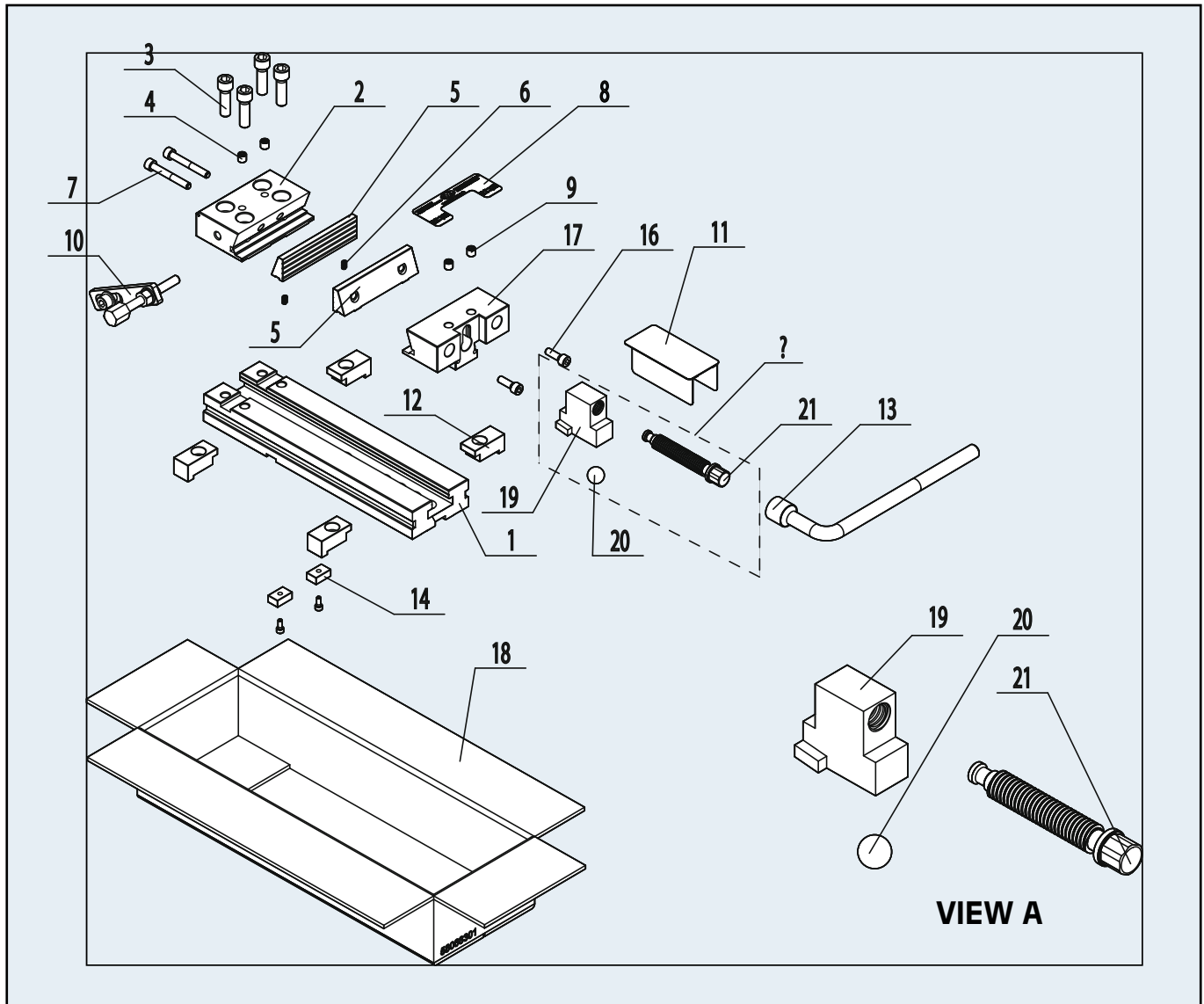
code	for type
58 95 33 00	LC 125
58 96 33 00	LC 150
58 97 33 00	LC 200



### Set of 6 pairs of parallels (no clak) LC

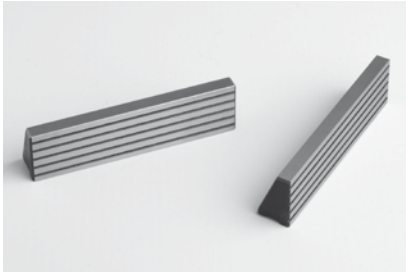


code	for type	h mm	L mm	B mm	tolerance	
					A	B
58 96 92 06	LC 150	25 - 30 - 35 - 40 - 45 - 47	150	8	0,009	0,005
58 97 92 06	LC 200	40 - 45 - 50 - 55 - 60 - 62	200	8	0,009	0,005



21	Clamping screw	1
20	Positioning ball	1
19	Block for clamping screw	1
18	Cardboard box	1
17	Guided movable support	1
16	Screw TCEI	2
15	Screw TCEI	2
14	Positioning key	2
13	Wrench	1
12	Set 4 clamps	4
11	Cover for protection of the screw	1
10	Workstop	1
9	Screw STEI	2
8	Label	1
7	Screw TCEI	2
6	Spring	4
5	Grooved jaw	2
4	Screw STEI	2
3	Screw TCEI	4
2	Fixed support	1
1	Base	1

Pos.	Description	Quantity
------	-------------	----------



### Pair of grooved jaws

Code	for type	
58 95 44 09	LC 125	
58 96 44 09	LC 150	
58 97 44 09	LC 200	



### Fixed support with jaw

Code	for type	
58 95 72 10	LC 125	
58 96 72 10	LC 150	
58 97 72 10	LC 200	



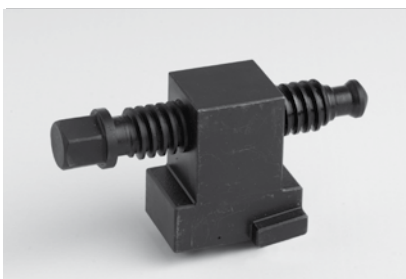
### Guided with jaw

Code	for type	
58 95 73 60	LC 125	
58 96 73 60	LC 150	
58 97 73 60	LC 200	



### Wrench

Code	for type	
58 95 19 00	LC 125	
58 96 19 00	LC 150	
58 97 19 00	LC 200	



### Complete clamping block

Code	for type	
58 95 74 10	LC 125	
58 96 74 10	LC 150	
58 97 74 10	LC 200	



### Block for clamping screw

Code	for type	
58 95 12 10	LC 125	
58 96 12 10	LC 150	
58 97 12 10	LC 200	





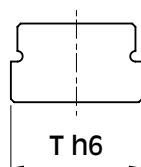
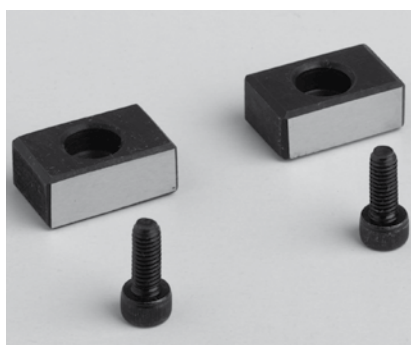
## Clamping screw

Code	for type	
58 95 08 10	LC 125	
58 96 08 10	LC 150	
58 97 08 10	LC 200	



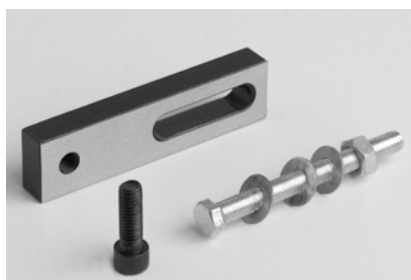
## Positioning ball

Code	for type	
58 95 10 00	LC 125	
58 96 10 00	LC 150	
58 97 10 00	LC 200	



## Pair of positioning keys

Code	T h6	for type
58 96 13 92	16/12	LC 125 - LC 150 - LC 200
58 96 13 93	16/14	
58 96 13 94	16/16	
58 96 13 95	16/18	
58 96 13 96	16/20	
58 96 13 97	16/22	



## Work stop

Code	for type	
58 95 50 00	LC 125	
58 96 50 00	LC 150	
58 97 50 00	LC 200	



## Cover for protection of the screw

Code	for type	
58 95 28 10	LC 125	
58 96 28 10	LC 150	
58 97 28 10	LC 200	



## Set of 2 pairs of clamps

Code	for type	
58 95 27 09	LC 125	
58 96 27 09	LC 150	
58 97 27 09	LC 200	

